

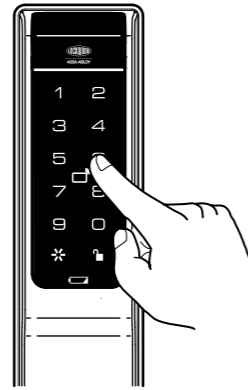
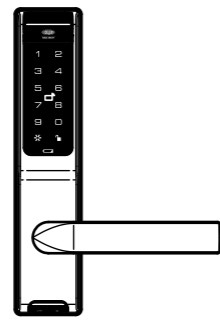
PACK CONTENTS

- External Electronic Lockset Body
- Internal Electronic Lockset Body
- External and Internal Rubber Gaskets
- Latch or Mortice Lock Assembly
- Lower Internal Screw Cover
- RFID Cards x 2
- AA Batteries x 4
- Long Mounting Screws
- Hexhead Battery Cover Screw
- Allen key
- Cylinder extension kit - Cylinder versions only
- Spindle and Spring Pack
- Mounting Template
- Cortex User Guide

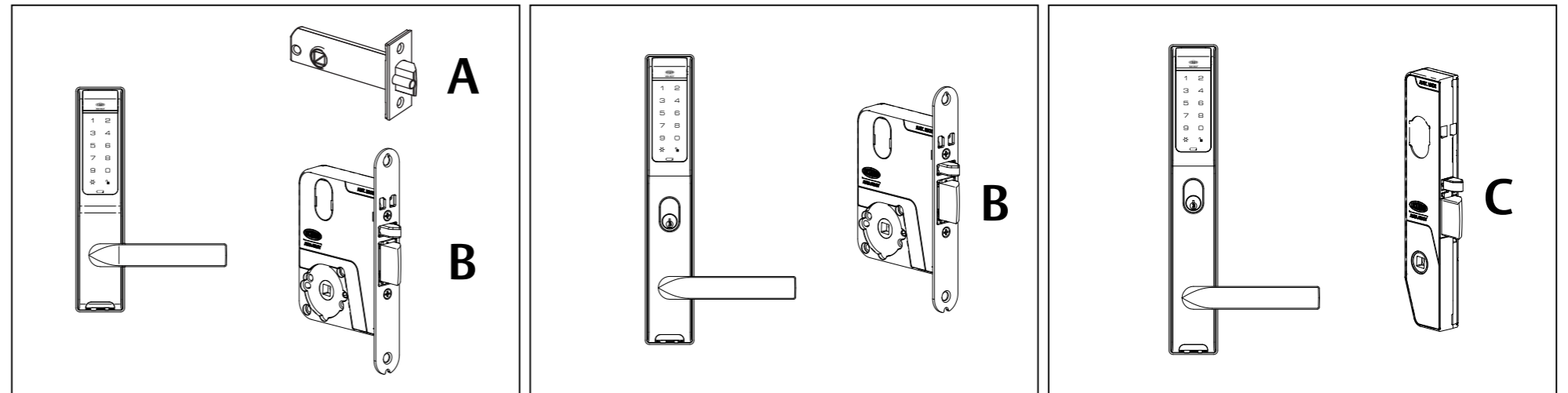
TOOLS REQUIRED

- Electric drill
- Ø22, 18 and 10mm Drill or Spade bit
- Phillips Head screwdriver
- Flat Blade screwdriver

Ensure all necessary safety precautions are taken when installing this lockset.



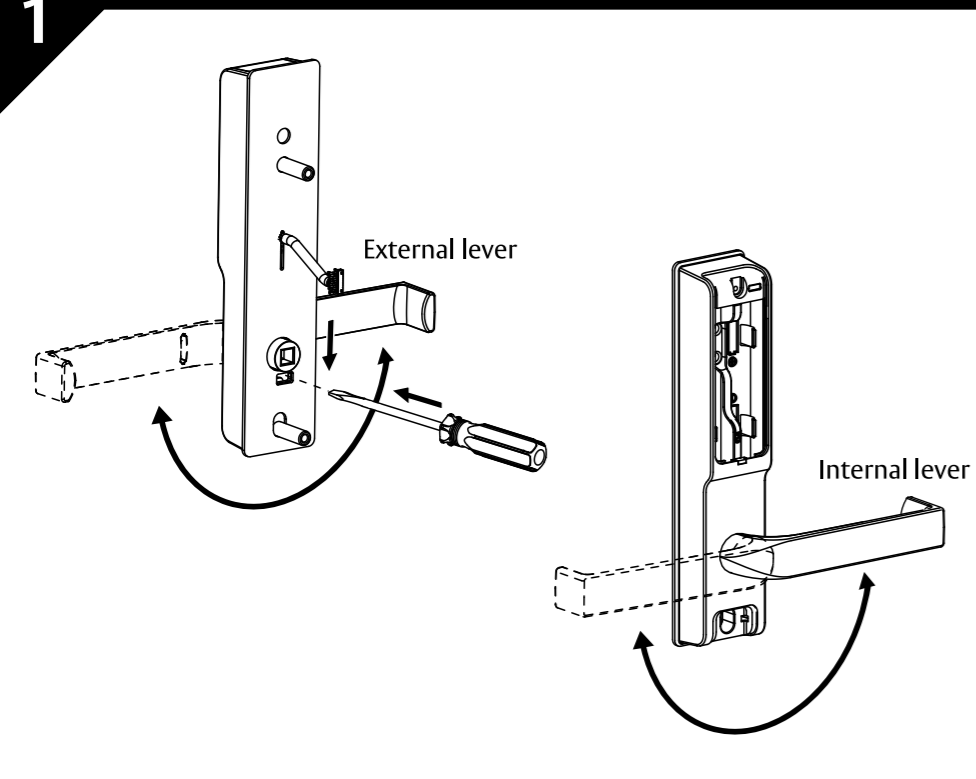
Refer to CORTEX™ USER GUIDE for lockset programming and operation



Select the correct spindle configuration to suit your door thickness and your latch or mortice lock requirement.

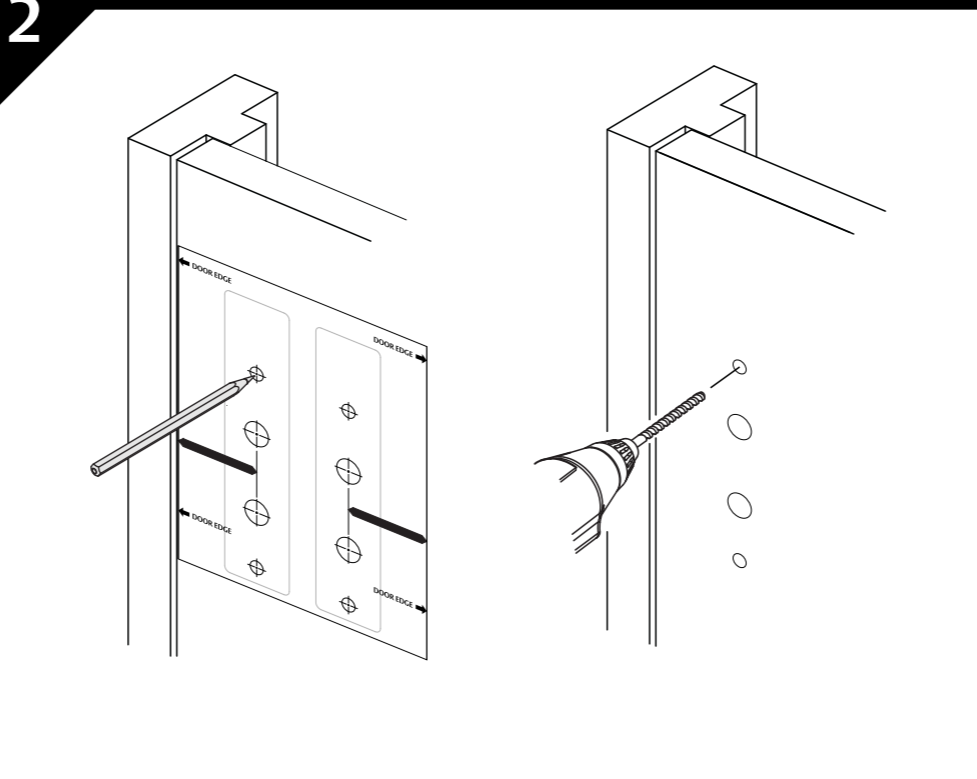
IMPORTANT - Only use the spindles supplied with the CORTEX™.

1 HANDLING OF LOCKSET



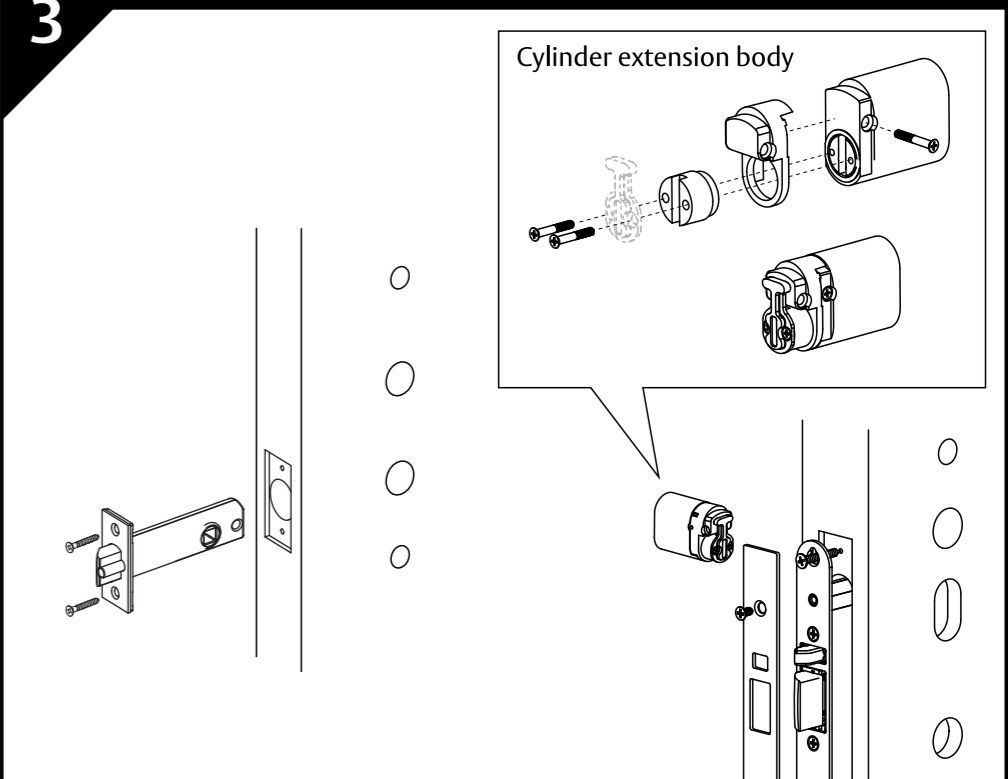
- For External lever - Insert flat blade screwdriver in slot as shown. Engage with internal tab and push down. Rotate lever to required position
- For Internal lever - Rotate lever to required position.

2 PREPARATION OF DOOR



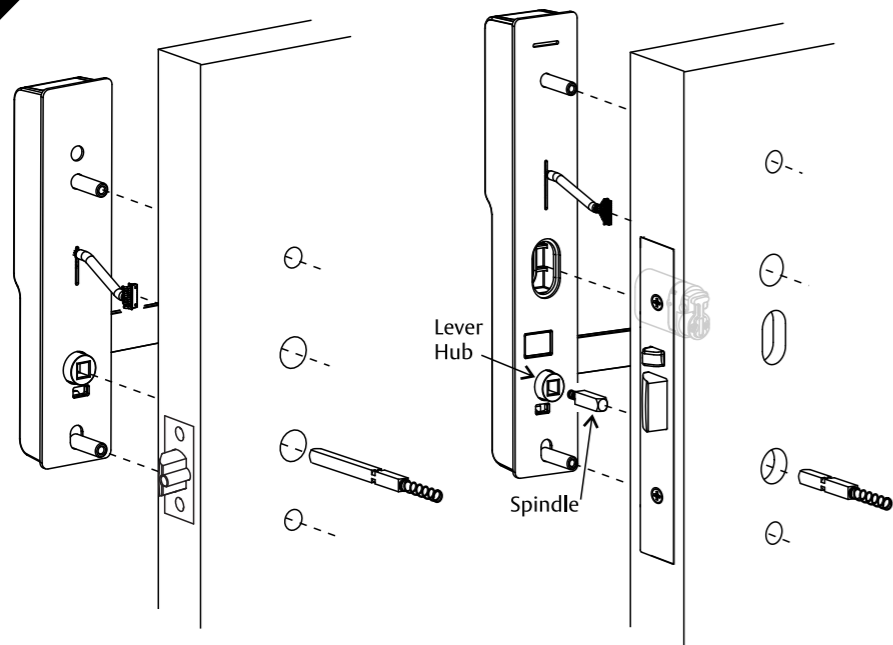
- **IMPORTANT - Firstly, for the chosen latch or mortice lock, prepare the door as per the manufacturers instructions .**
- Then position the required Cortex template on the door and prepare door for the lockset.

3 FITTING OF LATCH OR MORTICE LOCK



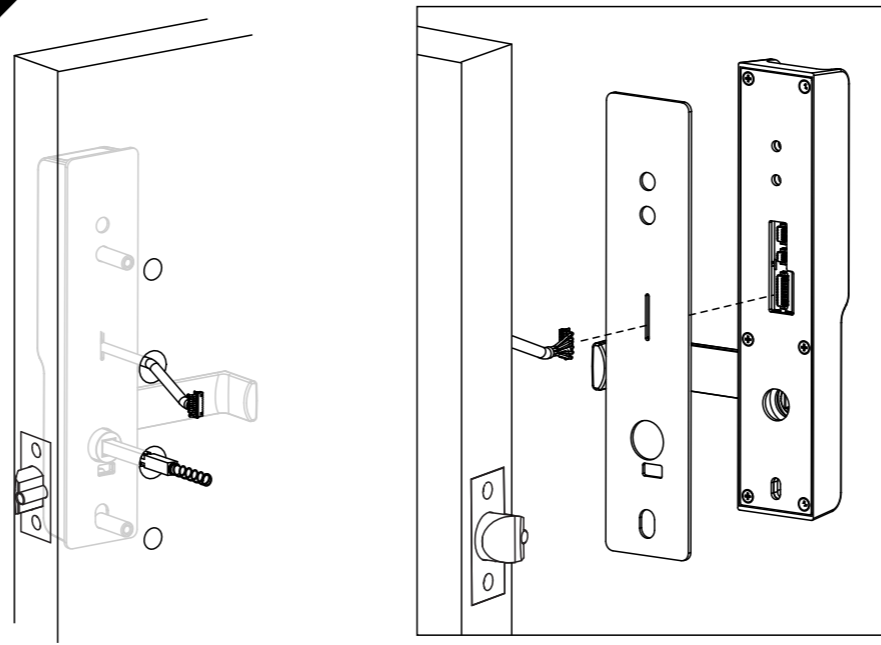
- Install chosen latch or mortice lock.
- If a cylinder is required, assemble the cylinder extension body using the desired cam. Then assemble to door as per standard cylinder.

4 MOUNTING OF EXTERNAL LOCKSET



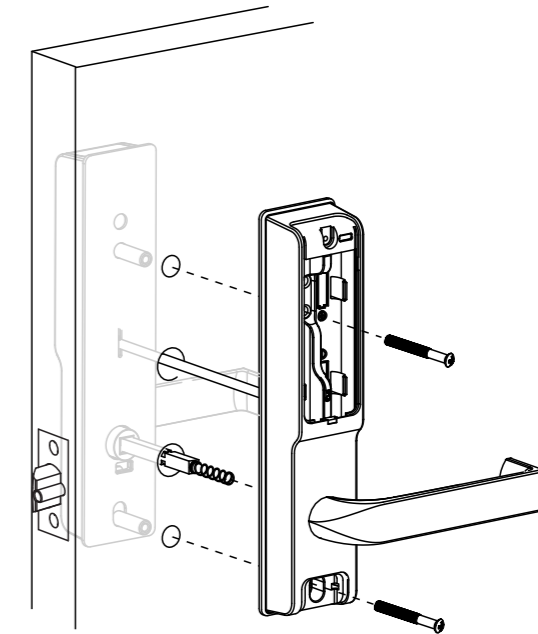
- Assemble spindle into latch or mortice lock. For mortice lock assemble the short spindle into the external side of the mortice lock.
- Insert loom completely through door and insert mounting posts into the required holes.
- Engage spindle into door then lever hub. **Ensure Spindle and hub are in alignment.**

5 CONNECTION OF PLUG



- With the external lockset on the door, pass the loom through the slot in the rubber gasket.
- Plug loom into main plug on the internal lockset. **Only the main loom is required.**

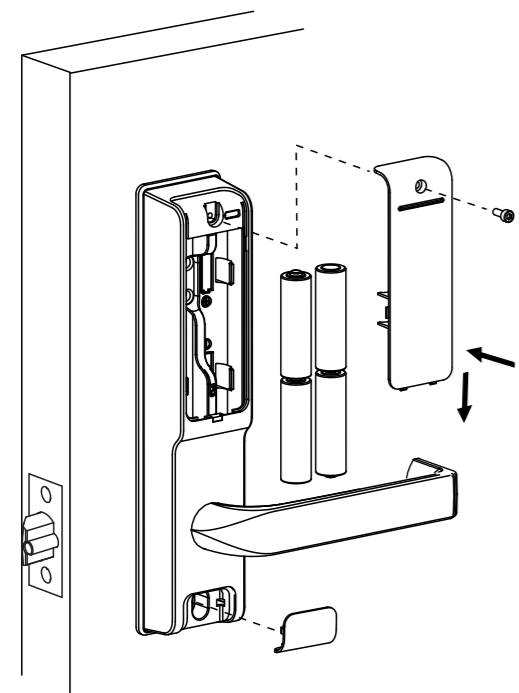
6 MOUNTING OF INTERNAL LOCKSET



- Bring the internal lockset to the door and engage the spindle in the lever.
- Using the supplied long mounting, secure the lockset to the door. Ensure you use the correct mounting hole position.

NOTE: For Short Backset installations, the mounting screws may need to be cut flush with the outside door face.

7 INSTALLATION OF BATTERIES



- Fix bottom screw cover into place.
- Insert the four supplied AA batteries.
- Then using the Cortex User Guide, program your lockset to the desired function.
- When complete, assemble battery cover by engaging the small tabs near the top of the battery opening with the tabs on the cover. Then slide the cover down and secure with hexhead screw supplied.

8 READY FOR USE

